

TEMPERATURE TRANSMITTER

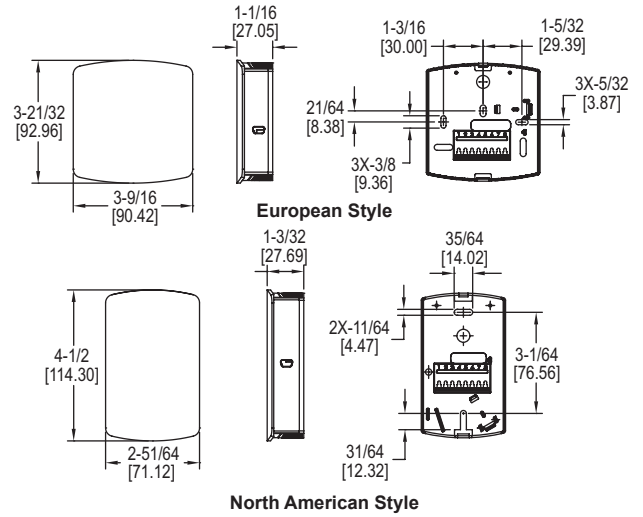
Wall Mount for Building Applications



European Style



North American Style



The **Series BTT-E/N Temperature Transmitters** offer transmitter output signals with the same form and fit as our popular Series TE-E/N thermistor and RTD sensors for Building Automation and HVAC installations.

FEATURES/BENEFITS

- Transmitter signal offers reliable accuracy for installations with long wire runs between the transmitter and the receiver/controller

APPLICATIONS

- Room or indoor building space temperature monitoring

MODEL CHART		
Model	Housing	Output
BTT-N00-1	North American style	4 to 20 mA
BTT-N00-2	North American style	0 to 10 VDC
BTT-N00-3	North American style	4 to 20 mA
BTT-N00-4	North American style	0 to 10 VDC
BTT-E00-1	European style	4 to 20 mA
BTT-E00-2	European style	0 to 10 VDC
BTT-E00-3	European style	4 to 20 mA
BTT-E00-4	European style	0 to 10 VDC

SPECIFICATIONS

Temperature Sensor: Pt 1000 Ω RTD DIN Class A 0.00385Ω/°C.
Range: 32 to 122 °F (0 to 50 °C).
Temperature Limits: 32 to 122 °F (0 to 50 °C).
Accuracy: ±0.5 °C @ 25 °C.
Thermal Effect: ±0.01%/°C.
Response Time: 100 ms.
Power Requirements: 13 to 36 VDC for current models, 13 to 36 VDC or 16 to 28 VAC for voltage models.
Output Signal: 4 to 20 mA or 0 to 10 VDC (depending on model).
Electrical Connections: Screw terminal block.
Enclosure Rating: IP20.
Weight: 2.6 oz (73.7 g).
Agency Approvals: CE.