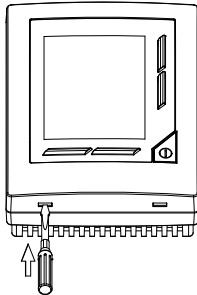


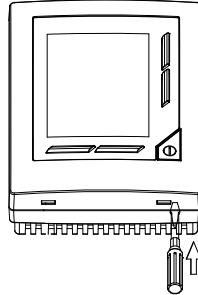
Installation manual

Mounting Method

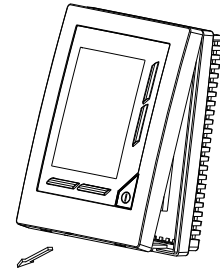
1. open the left clip with screw driver



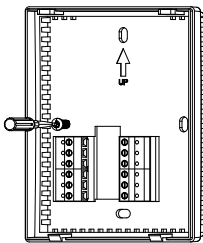
2. open the right clip with screw driver



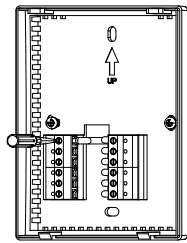
3. Open the front cover



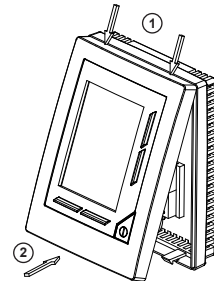
4. Mounting the housing



5. Wiring

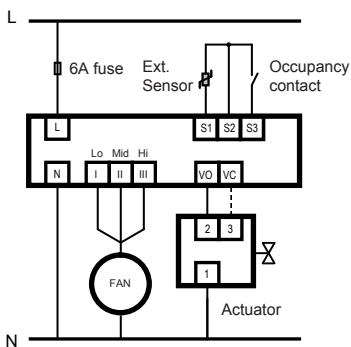


6. Close the front cover

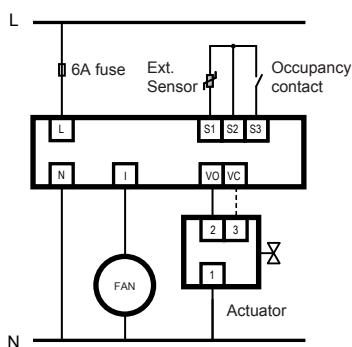


Wiring Diagram

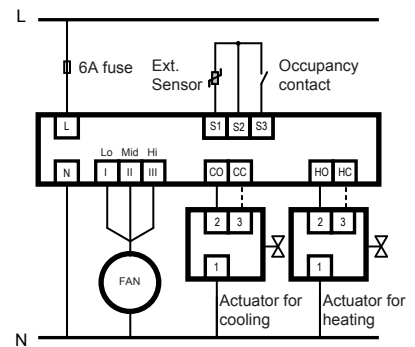
CFU-D221 / D222



CFU-D221-SS



CFU-D422



2-wire actuator connection

3-wire actuator connection

Basic Operation

Modes	On/Off , Cooling ❄ / Heating ☀ Press button “ ⏻ ” to switch on or off. To switch off, press and hold the button 2 seconds. Press button “ M ” to select cooling or heating mode. *CFU-D422, auto change mode for cooling and heating.
Fan speed	3 speed (Low 🌀 , Middle 🌀 , High 🌀) / Auto 🌀 (🌀 > 🌀 > 🌀) Auto speed: difference between set point and ambient temperature; 1 K - Low 🌀 ; 2 K - Middle 🌀 ; 3 K - High 🌀 . Fan will keep running when power on (except economy mode).
Backlight	The backlight will light up 120 seconds when any button pressed.
Valve	The icon “ 🌀 ” displays when valve open.
Memory	All last saved parameters will be kept after power failure or switch off.
Occupancy contact	Contacts close > economy mode ; Contact open > normal mode Fan output is synchronised with valve output (economy mode).
Display selection	In parameter setting, select display ambient temperature or set point.
Temperature offset	In parameter setting, adjust measured temperature to +3, +2, +1, 0, -1, -2, -3.
Low temperature protection (Defrost)	When unit is off and measured temperature < 5°C , unit start in heating mode automatically until temperature reached 7°C.
External sensor	In parameter setting, select external sensor or built-in sensor.
Key lock	To lock or unlock the buttons, press ▲ & ▼ simultaneously and hold 5 seconds. When key lock is activated, buttons will no action when press it.
Error code	E1 : Internal sensor short circuit. E2 : Internal sensor open circuit. E3 : External sensor short circuit. E4 : External sensor open circuit.

Parameter Setting

When the unit in “ OFF ” status, press and hold ▲ for 5 seconds to enter “ p-setting mode ”. Press ⏻ to change over from dISP > OSEt > dEfr > USP > LSP > SEn* > COOL* > HEAt* . Use ▼ , ▲ button to change setting. If button is not pressed over 10 seconds, the changed setting will be saved and exit automatically.

dISP	Display selection : ambient temperature “rt” / set point “SP”	[factory setting rt]
OSEt	Temperature offset : -3,-2,-1, 0, 1, 2, 3	[factory setting 0]
dEfr	Defrost - low temperature protection : On / OFF	[factory setting OFF]
USP	Upper set point limit : 10 ... 35 °C	[factory setting 35°C]
LSP	Lower set point limit : 5 ... 30 °C	[factory setting 5°C]
SEn	Sensor selection : external “Et” / internal “Int”	[factory setting Int]
COOL	Economy set point range for cooling : 25 ... 30 °C	[factory setting 28°C]
HEAt*	Economy set point range for heating : 15 ... 20 °C	[factory setting 15°C]

*available on corresponding models

LCD Segment & Dimensions [mm]

