

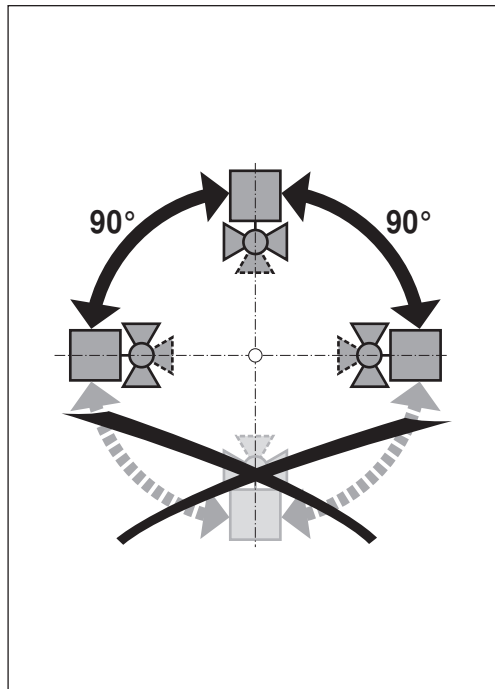
H6..SP-..



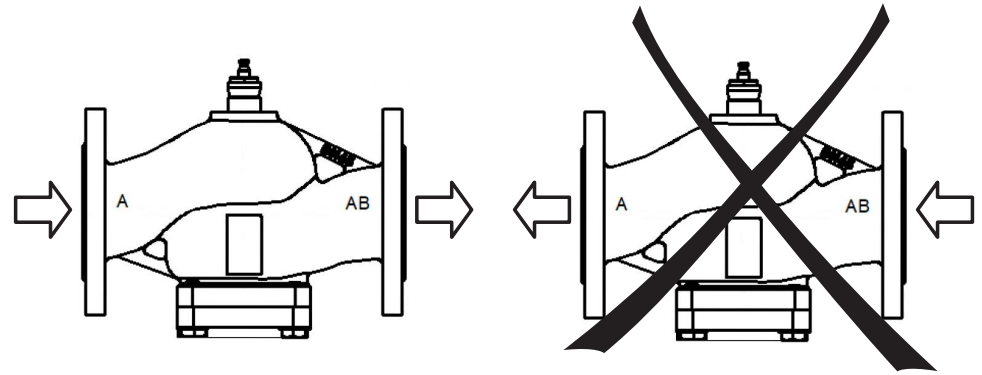
H7..S-..



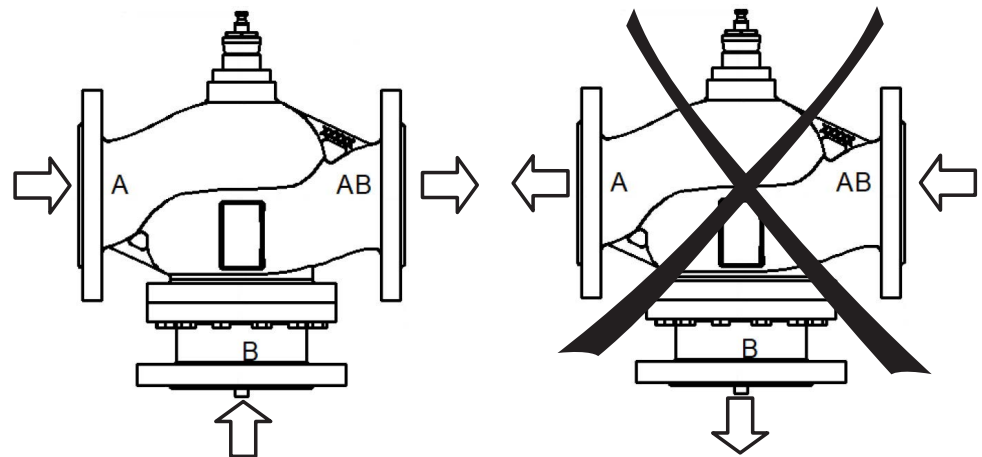
70663-00001.C

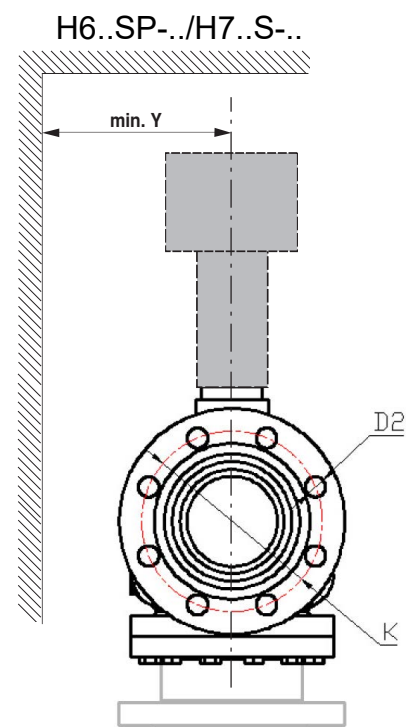
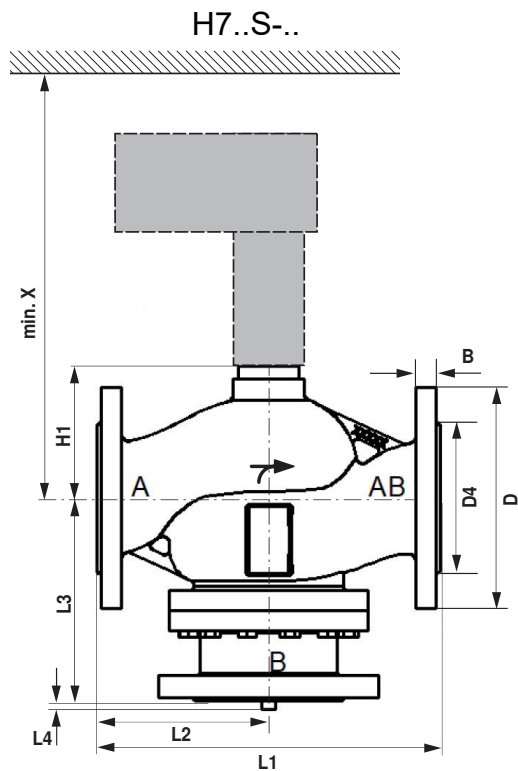
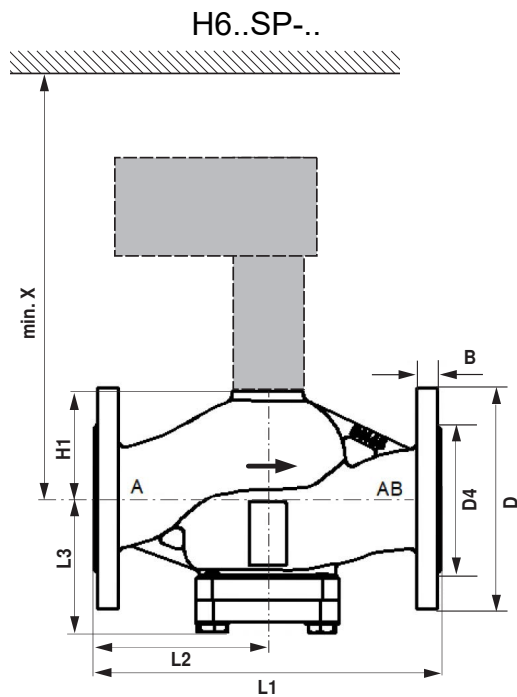


H6..SP-..



H7..S-..





H6..SP-..

ps <1600 kPa (PN16) t= 0... +150 °C			H6..SP-..	SV..A.. 1500N	AVK..A.. 2000N	EV..A.. 2500N	RV..A.. 4500N															
DN	Inch.	Hub / Stroke [mm]		Δps [kPa]	Δpmax [kPa]	Δps [kPa]	Δpmax [kPa]	Δps [kPa]	Δpmax [kPa]	Δps [kPa]	Δpmax [kPa]	B [mm]	D [mm]	D2 [mm]	D4 [mm]	K [mm]	L1 [mm]	L2 [mm]	L3 [mm]	H1 [mm]	X [mm]	Y [mm]
65	2-1/2"	20	H665SP-Q	1600	1000							20	185	4-19	118	145	290	145	112	104.5	315	145
80	3"	30	H680SP-R			1600	1000	1600	1000	1600	1000	22	200	8-19	132	160	310	155	132	120	445	150
100	4"	40	H6100SP-S					1600	1000	1600	1000	23	220	8-19	156	180	350	175	150	137	465	160
125	5"	40	H6125SP-T					1600	1000	1600	1000	24	250	8-19	184	210	400	200	175	157	485	175
150	6"	40	H6150SP-T					1600	1000	1600	1000	25	285	8-23	211	240	480	240	198	171	500	195
200	8"	40	H6200SP-U					1600	1000	1600	1000	26	340	12-23	266	295	500	250	234	185	510	220
250	10"	40	H6250SP-V							1600	1000	31	405	12-28	319	355	600	300	265	205	530	255

H7..S-..

ps <1600 kPa (PN16) t= 0... +150 °C			H7..S-..	SV..A.. 1500N	AVK..A.. 2000N	EV..A.. 2500N	RV..A.. 4500N																
DN	Inch.	Hub / Stroke [mm]		Δps [kPa]	Δpmax [kPa]	Δps [kPa]	Δpmax [kPa]	Δps [kPa]	Δpmax [kPa]	Δps [kPa]	Δpmax [kPa]	B [mm]	D [mm]	D2 [mm]	D4 [mm]	K [mm]	L1 [mm]	L2 [mm]	L3 [mm]	L4 [mm]	H1 [mm]	X [mm]	Y [mm]
65	2-1/2"	20	H765S-Q	280	280							20	185	4-19	118	145	290	145	156	0	104.5	315	145
80	3"	30	H780S-R			200	200	200	200	200	200	22	200	8-19	132	160	310	155	185	4	120	445	150
100	4"	40	H7100S-S					200	200	200	200	23	220	8-19	156	180	350	175	202	22	137	465	160
125	5"	40	H7125S-T					110	110	150	150	24	250	8-19	184	210	400	200	240	18	157	485	175
150	6"	40	H7150S-T					60	60	100	100	25	285	8-23	211	240	480	240	270	8.5	171	500	195
200	8"	40	H7200S-U							80	80	26	340	12-23	266	295	500	250	318	0	185	510	220
250	10"	40	H7250S-V							50	50	31	405	12-28	319	355	600	300	370	0	205	530	255